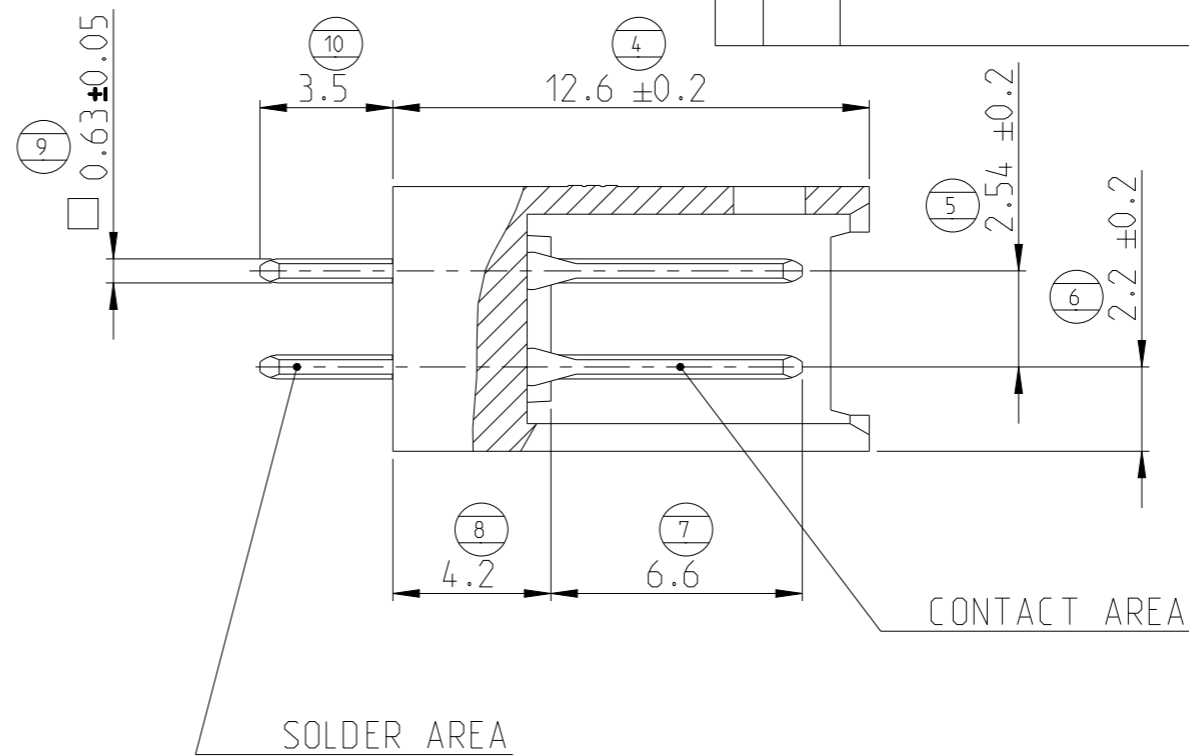
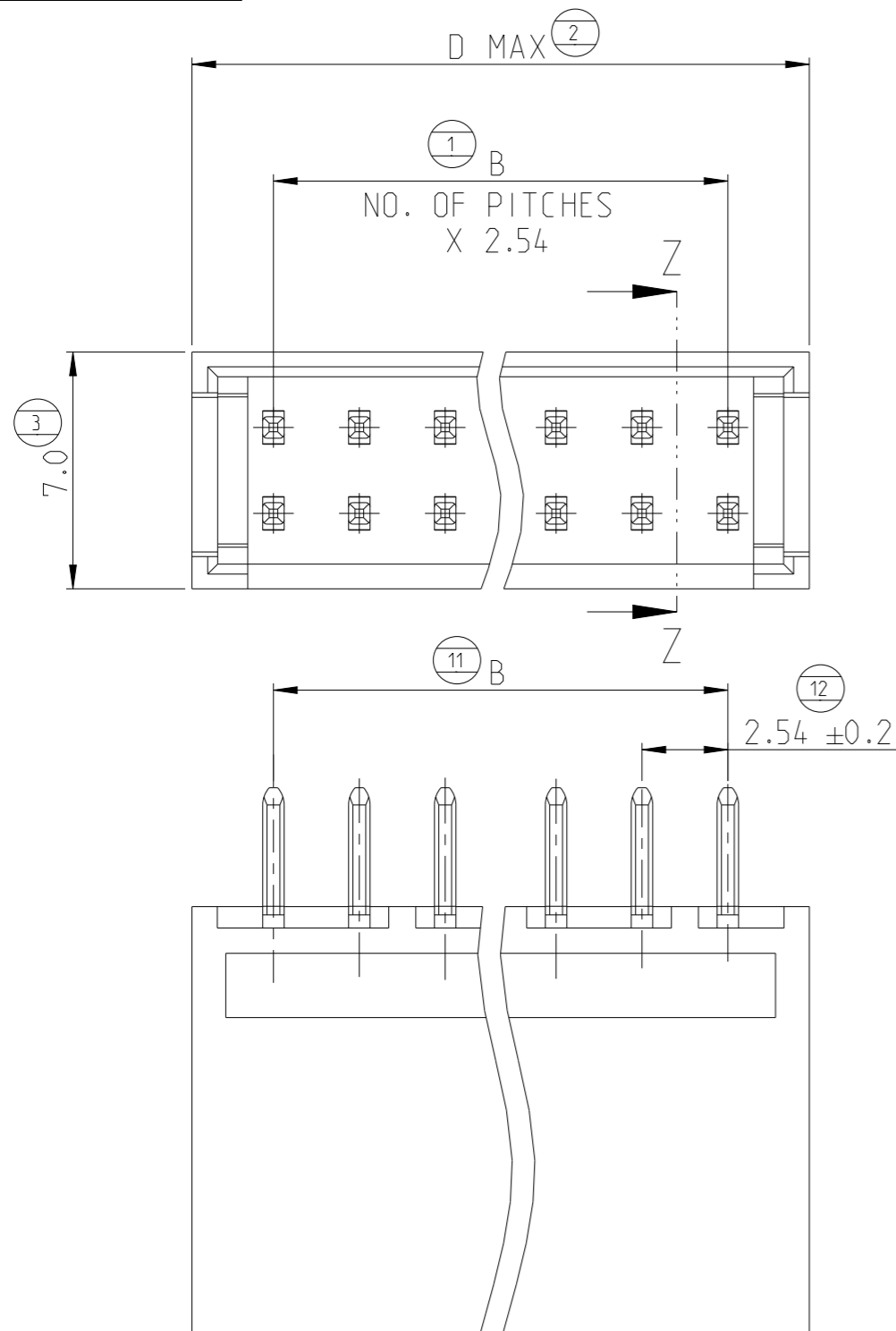
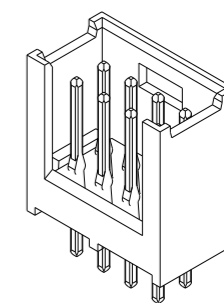


P	LTR	DESCRIPTION	DATE	DWN	APVD
	U	REDRAWN, RESIN SUPPLIER CHANGED	04JUN2021	SB	KJK



PARTIAL SEC. Z-Z



2:1

58.5	53.34	280388-3	5	280388-2	280388-1	22	
48.3	43.18	281019-3	5	281019-2	281019-1	18	
40.7	35.56	280387-3		280387-2	280387-1	15	
33.1	27.94	280521-3	5	280521-2	280521-1	12	
25.4	20.32	280509-3	5	280509-2	280509-1	9	
22.9	17.78	280385-3		280385-2	280385-1	8	
12.7	7.62	280384-3	5	280384-2	280384-1	4	
D	B	3	△ PART NUMBER	2	△ PART NUMBER	1	△ PART NUMBER NO. POS.

NOTES:

- △ FINISH: 3-5 μm TIN OVER MIN 1.27 μm NICKEL
- △ FINISH: DUPLEX PLATED MIN. 0.38 μm GOLD IN CONTACT AREA AND 2.5 μm TIN IN SOLDER AREA, OVER MIN. 1.27 μm NICKEL.
- △ FINISH: DUPLEX PLATED MIN. 0.76 μm GOLD IN CONTACT AREA AND 2.5 μm TIN IN SOLDER AREA, OVER MIN. 1.27 μm NICKEL.
- △ MATERIALS:  
-HOUSINGS: FLAME RETARDANT THERMOPLASTIC, UL94V0, COLOR BLACK.  
-TIN AND GOLD PLATED CONTACTS: BRASS
- △ PN OBSOLETE

THIS DRAWING IS A CONTROLLED DOCUMENT.		DWN G. CAMPIA 12FEB1990	TE Connectivity			
DIMENSIONS: mm		CHK -				
TOLERANCES UNLESS OTHERWISE SPECIFIED: ±0.3		APVD -	NAME AMPMODU II SHROUDED HEADER DUAL ROW, STRAIGHT POST			
		PRODUCT SPEC 108-20025	APPLICATION SPEC -			
MATERIAL 4		WEIGHT -	SIZE A3	CAGE CODE 00779	DRAWING NO C-280384	RESTRICTED TO
CUSTOMER DRAWING			SCALE 5:1	SHEET 1 OF 1	REV U	