

# CGJ6M3X7T2D334K200AA

TDK Item Description : CGJ6M3X7T2D334KT\*\*\*\*

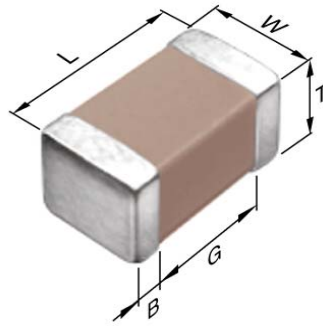


## Application & Main Feature

High Reliability Grade ( Mid Voltage (100 to 630V) )

## Series

CGJ6(3225) [EIA CC1210]



## Dimensions

L 3.20mm +/-0.4mm  
 W 2.50mm +/-0.3mm  
 T 2.00mm +/-0.2mm  
 B 0.20mm Min.  
 G

## Temperature Characteristic

X7T (-55 to 125 degC +22,-33%)

## Rated Voltage

2D (200Vdc)

## Capacitance

330nF

## Capacitance Tolerance

K (+/-10%)

## Dissipation Factor

2.5% Max.

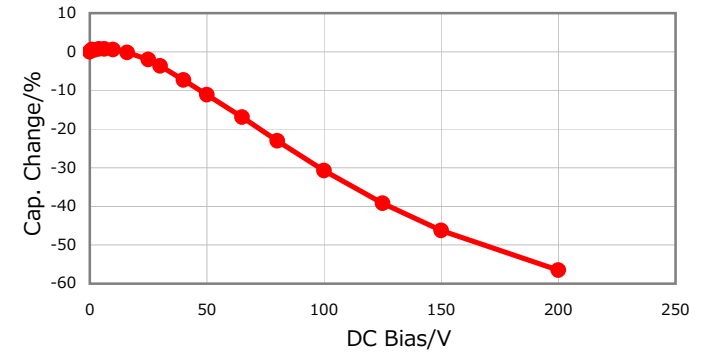
## Insulation Resistance

1.52Gohm Min.

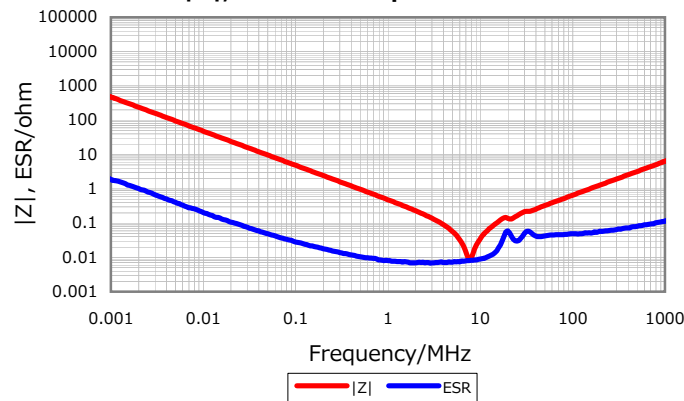
## AEC-Q200

Yes

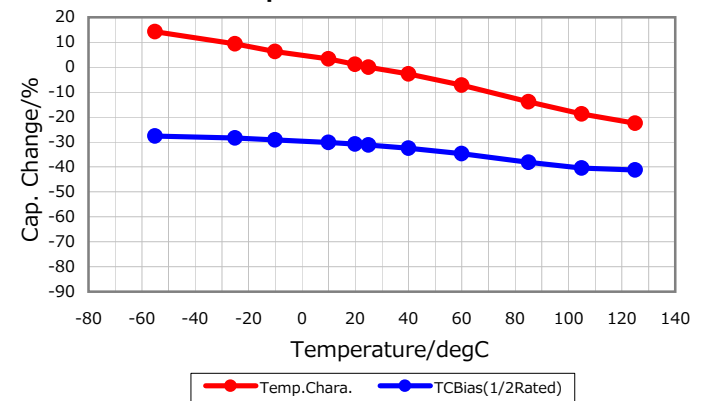
## DC Bias Characteristic



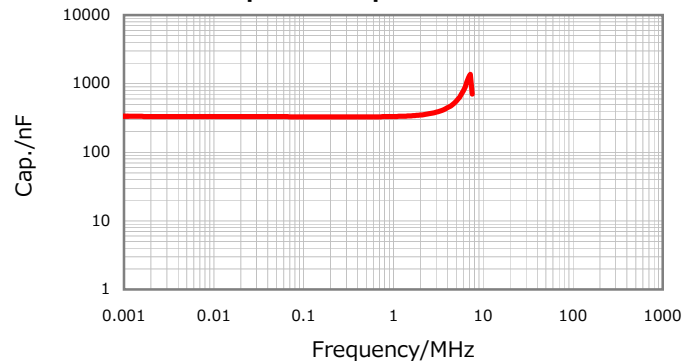
## |Z|, ESR vs. Freq. Characteristics



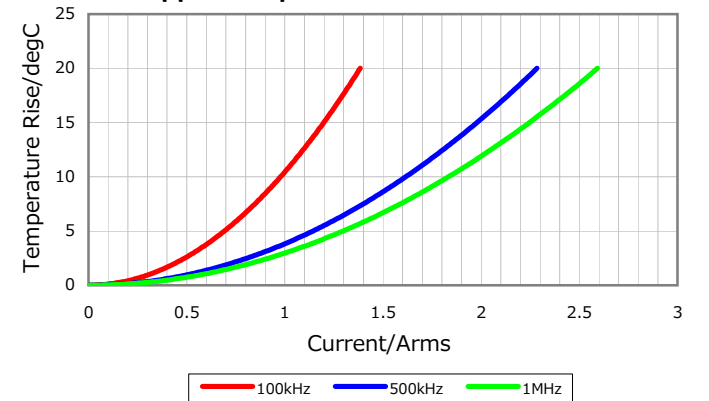
## Temperature Characteristics



## Cap. vs. Freq. Characteristic



## Ripple Temperature Rise Characteristics



Characterization Sheet ( Multilayer Ceramic Chip Capacitors )



All specifications are subject to change without notice.

January 4, 2016