

CHIP COIL (CHIP INDUCTORS) LQP02HQ□□□□02□ Reference Specification

1.Scope

This reference specification applies to LQP02HQ series, Chip coil (Chip Inductors).

2.Part Numbering

(ex) LQ P 02 H Q 0N2 W 0 2 L

Product ID Structure Dimension Applications Category Inductance Tolerance Features Electrode Packaging
 (L × W) and Characteristics L:4mm-wide / plastic tape
 E:8mm-wide / plastic tape
 *B: Bulk

*Bulk packing also available. (A product is put in the plastic bag under the taping conditions.)

3.Rating

- Operating Temperature. -55°C to +125°C
- Storage Temperature. -55°C to +125°C

Customer Part Number	MURATA Part Number	Inductance		Q (min)	DC Resistance (Ω max)	Self Resonant Frequency (GHz)		Rated Current (mA)
		(nH)	Tolerance			*Typ.	Min.	
	LQP02HQ0N2W02L	0.2		-	0.01	>20	17.0	1000
	LQP02HQ0N2W02E							
	LQP02HQ0N2B02L							
	LQP02HQ0N2B02E							
	LQP02HQ0N2C02L							
	LQP02HQ0N2C02E							
	LQP02HQ0N3W02L	0.3		-	0.02	>20	17.0	
	LQP02HQ0N3W02E							
	LQP02HQ0N3B02L							
	LQP02HQ0N3B02E							
	LQP02HQ0N3C02L							
	LQP02HQ0N3C02E							
	LQP02HQ0N4W02L	0.4		-	0.03	>20	17.0	
	LQP02HQ0N4W02E							
	LQP02HQ0N4B02L							
	LQP02HQ0N4B02E							
	LQP02HQ0N4C02L							
	LQP02HQ0N4C02E							
	LQP02HQ0N5W02L	0.5		-	0.04	>20	17.0	
	LQP02HQ0N5W02E							
	LQP02HQ0N5B02L							
	LQP02HQ0N5B02E							
	LQP02HQ0N5C02L							
	LQP02HQ0N5C02E							
	LQP02HQ0N6W02L	0.6		14	0.05	>20	17.0	
	LQP02HQ0N6W02E							
	LQP02HQ0N6B02L							
	LQP02HQ0N6B02E							
	LQP02HQ0N6C02L							
	LQP02HQ0N6C02E							
	LQP02HQ0N7W02L	0.7		-	0.05	19	15.5	
	LQP02HQ0N7W02E							
	LQP02HQ0N7B02L							
	LQP02HQ0N7B02E							
	LQP02HQ0N7C02L							
	LQP02HQ0N7C02E							
	LQP02HQ0N8W02L	0.8		-	0.05	19	15.5	
	LQP02HQ0N8W02E							
	LQP02HQ0N8B02L							
	LQP02HQ0N8B02E							
	LQP02HQ0N8C02L							
	LQP02HQ0N8C02E							

Reference Only

Spec No. JELF243C-0023E-01

P.2/16

Customer Part Number	MURATA Part Number	Inductance		Q (min)	DC Resistance (Ω max)	Self Resonant Frequency (GHz)		Rated Current (mA)
		(nH)	Tolerance			*Typ.	Min.	
	LQP02HQ0N9W02L	0.9		14	0.05	19	14.6	900
	LQP02HQ0N9W02E							
	LQP02HQ0N9B02L							
	LQP02HQ0N9B02E							
	LQP02HQ0N9C02L							
	LQP02HQ0N9C02E	1.0		14	0.05	18	13.2	900
	LQP02HQ1N0W02L							
	LQP02HQ1N0W02E							
	LQP02HQ1N0B02L							
	LQP02HQ1N0B02E							
	LQP02HQ1N0C02L	1.1		14	0.06	16	12.8	850
	LQP02HQ1N0C02E							
	LQP02HQ1N1W02L							
	LQP02HQ1N1W02E							
	LQP02HQ1N1B02L							
	LQP02HQ1N1B02E	1.2		14	0.06	15	12.8	800
	LQP02HQ1N1C02L							
	LQP02HQ1N1C02E							
	LQP02HQ1N2W02L							
	LQP02HQ1N2W02E							
	LQP02HQ1N2B02L	1.3		14	0.08	15	10.7	700
	LQP02HQ1N2B02E							
	LQP02HQ1N2C02L							
	LQP02HQ1N2C02E							
	LQP02HQ1N3W02L							
	LQP02HQ1N3W02E	1.4		14	0.08	14.5	12.7	700
	LQP02HQ1N3B02L							
	LQP02HQ1N3B02E							
	LQP02HQ1N3C02L							
	LQP02HQ1N3C02E							
	LQP02HQ1N4W02L	1.5		14	0.08	14	10.7	700
	LQP02HQ1N4W02E							
	LQP02HQ1N4B02L							
	LQP02HQ1N4B02E							
	LQP02HQ1N4C02L							
	LQP02HQ1N4C02E	1.6		14	0.08	14	10.7	700
	LQP02HQ1N5W02L							
	LQP02HQ1N5W02E							
	LQP02HQ1N5B02L							
	LQP02HQ1N5B02E							
	LQP02HQ1N5C02L	1.7		14	0.08	14	10.7	700
	LQP02HQ1N5C02E							
	LQP02HQ1N6W02L							
	LQP02HQ1N6W02E							
	LQP02HQ1N6B02L							
	LQP02HQ1N6B02E	1.8		14	0.08	13.5	10.2	700
	LQP02HQ1N6C02L							
	LQP02HQ1N6C02E							
	LQP02HQ1N7W02L							
	LQP02HQ1N7W02E							
	LQP02HQ1N7B02L	1.8		14	0.08	13.5	10.2	700
	LQP02HQ1N7B02E							
	LQP02HQ1N7C02L							
	LQP02HQ1N7C02E							
	LQP02HQ1N8W02L							
	LQP02HQ1N8W02E	1.8		14	0.08	13.5	10.2	700
	LQP02HQ1N8B02L							
	LQP02HQ1N8B02E							
	LQP02HQ1N8C02L							
	LQP02HQ1N8C02E							

Reference Only

Spec No. JELF243C-0023E-01

P.3/16

Customer Part Number	MURATA Part Number	Inductance		Q (min)	DC Resistance (Ω max)	Self Resonant Frequency (GHz)		Rated Current (mA)
		(nH)	Tolerance			*Typ.	Min.	
	LQP02HQ1N9W02L	1.9	W:±0.05nH B:±0.1nH C:±0.2nH	14	0.08	12.5	10.2	700
	LQP02HQ1N9W02E							
	LQP02HQ1N9B02L							
	LQP02HQ1N9B02E							
	LQP02HQ1N9C02L							
	LQP02HQ1N9C02E							
	LQP02HQ2N0W02L	2.0			0.1	10.1		
	LQP02HQ2N0W02E							
	LQP02HQ2N0B02L							
	LQP02HQ2N0B02E							
	LQP02HQ2N0C02L							
	LQP02HQ2N0C02E							
	LQP02HQ2N1W02L	2.1	11.5	650				
	LQP02HQ2N1W02E							
	LQP02HQ2N1B02L							
	LQP02HQ2N1B02E							
	LQP02HQ2N1C02L							
	LQP02HQ2N1C02E							
	LQP02HQ2N2W02L	2.2	9.8	500				
	LQP02HQ2N2W02E							
	LQP02HQ2N2B02L							
	LQP02HQ2N2B02E							
	LQP02HQ2N2C02L							
	LQP02HQ2N2C02E							
	LQP02HQ2N3W02L	2.3	11	450				
	LQP02HQ2N3W02E							
	LQP02HQ2N3B02L							
	LQP02HQ2N3B02E							
	LQP02HQ2N3C02L							
	LQP02HQ2N3C02E							
	LQP02HQ2N4W02L	2.4	10.5	8.8				
	LQP02HQ2N4W02E							
	LQP02HQ2N4B02L							
	LQP02HQ2N4B02E							
	LQP02HQ2N4C02L							
	LQP02HQ2N4C02E							
	LQP02HQ2N5W02L	2.5	10.5	8.8				
	LQP02HQ2N5W02E							
	LQP02HQ2N5B02L							
	LQP02HQ2N5B02E							
	LQP02HQ2N5C02L							
	LQP02HQ2N5C02E							
	LQP02HQ2N6B02L	2.6	10.5	8.8				
	LQP02HQ2N6B02E							
	LQP02HQ2N6C02L							
	LQP02HQ2N6C02E							
	LQP02HQ2N7B02L							
	LQP02HQ2N7B02E	2.7	10.5	8.8				
	LQP02HQ2N7C02L							
	LQP02HQ2N7C02E							
	LQP02HQ2N8B02L							
	LQP02HQ2N8B02E				2.8	10.5	8.8	
	LQP02HQ2N8C02L							
	LQP02HQ2N8C02E							
	LQP02HQ2N9B02L							
	LQP02HQ2N9B02E	2.9	10.5	8.8				
	LQP02HQ2N9C02L							
	LQP02HQ2N9C02E							

Reference Only

Spec No. JELF243C-0023E-01

P.4/16

Customer Part Number	MURATA Part Number	Inductance		Q (min)	DC Resistance (Ω max)	Self Resonant Frequency (GHz)		Rated Current (mA)
		(nH)	Tolerance			*Typ.	Min.	
	LQP02HQ3N0B02L	3.0		14	0.2	10	8.5	450
	LQP02HQ3N0B02E							
	LQP02HQ3N0C02L							
	LQP02HQ3N0C02E							
	LQP02HQ3N1B02L	3.1		14	0.25	10	8.5	400
	LQP02HQ3N1B02E							
	LQP02HQ3N1C02L							
	LQP02HQ3N1C02E	3.2		14	0.25	10	8.5	400
	LQP02HQ3N2B02L							
	LQP02HQ3N2B02E							
	LQP02HQ3N2C02L	3.3		14	0.25	10	8.5	400
	LQP02HQ3N2C02E							
	LQP02HQ3N3B02L							
	LQP02HQ3N3B02E	3.4		14	0.3	9.5	8.2	350
	LQP02HQ3N3C02L							
	LQP02HQ3N3C02E							
	LQP02HQ3N4B02L	3.5		14	0.3	9.5	8.2	350
	LQP02HQ3N4B02E							
	LQP02HQ3N4C02L							
	LQP02HQ3N4C02E	3.6	B:±0.1nH C:±0.2nH	14	0.35	9	6.9	350
	LQP02HQ3N5B02L							
	LQP02HQ3N5B02E							
	LQP02HQ3N5C02L	3.7		14	0.35	9	6.9	350
	LQP02HQ3N5C02E							
	LQP02HQ3N6B02L							
	LQP02HQ3N6B02E	3.8		14	0.35	9	6.9	350
	LQP02HQ3N6C02L							
	LQP02HQ3N6C02E							
	LQP02HQ3N7B02L	3.9		14	0.35	9	6.9	350
	LQP02HQ3N7B02E							
	LQP02HQ3N7C02L							
	LQP02HQ3N7C02E	4.0		14	0.35	9	6.9	350
	LQP02HQ3N8B02L							
	LQP02HQ3N8B02E							
	LQP02HQ3N8C02L	4.1		14	0.35	9	6.9	350
	LQP02HQ3N8C02E							
	LQP02HQ3N9B02L							
	LQP02HQ3N9B02E	4.2		14	0.35	9	6.9	350
	LQP02HQ3N9C02L							
	LQP02HQ3N9C02E							
	LQP02HQ4N0B02L	4.3	H:±3% J:±5%	13	0.35	8	6.9	350
	LQP02HQ4N0B02E							
	LQP02HQ4N0C02L							
	LQP02HQ4N0C02E	4.4		13	0.35	8	6.9	350
	LQP02HQ4N1B02L							
	LQP02HQ4N1B02E							
	LQP02HQ4N1C02L	4.5		13	0.35	8	6.9	350
	LQP02HQ4N1C02E							
	LQP02HQ4N2B02L							
	LQP02HQ4N2B02E	4.6		13	0.35	8	6.9	350
	LQP02HQ4N2C02L							
	LQP02HQ4N2C02E							
	LQP02HQ4N3H02L	4.7		13	0.35	8	6.9	350
	LQP02HQ4N3H02E							
	LQP02HQ4N3J02L							
	LQP02HQ4N3J02E							

Reference Only

Spec No. JELF243C-0023E-01

P.5/16

Customer Part Number	MURATA Part Number	Inductance		Q (min)	DC Resistance (Ω max)	Self Resonant Frequency (GHz)		Rated Current (mA)
		(nH)	Tolerance			*Typ.	Min.	
	LQP02HQ4N7H02L	4.7		13	0.35	8	6.7	350
	LQP02HQ4N7H02E							
	LQP02HQ4N7J02L							
	LQP02HQ4N7J02E	5.1		13	0.35	8	6.6	350
	LQP02HQ5N1H02L							
	LQP02HQ5N1H02E							
	LQP02HQ5N1J02L	5.6		13	0.35	7.5	6.1	350
	LQP02HQ5N1J02E							
	LQP02HQ5N6H02L							
	LQP02HQ5N6H02E	6.2		13	0.4	7.0	6.0	350
	LQP02HQ5N6J02L							
	LQP02HQ5N6J02E							
	LQP02HQ6N2H02L	6.8		13	0.4	7.0	5.7	350
	LQP02HQ6N2H02E							
	LQP02HQ6N2J02L							
	LQP02HQ6N2J02E	7.5		13	0.5	6.5	5.6	300
	LQP02HQ6N8H02L							
	LQP02HQ6N8H02E							
	LQP02HQ6N8J02L	8.2		13	0.5	6.5	5.1	300
	LQP02HQ6N8J02E							
	LQP02HQ7N5H02L							
	LQP02HQ7N5H02E	9.1		13	0.6	5.8	4.9	300
	LQP02HQ7N5J02L							
	LQP02HQ7N5J02E							
	LQP02HQ8N2H02L	10		13	0.6	5.8	4.9	300
	LQP02HQ8N2H02E							
	LQP02HQ8N2J02L							
	LQP02HQ8N2J02E	11		13	0.8	5.6	4.0	250
	LQP02HQ9N1H02L							
	LQP02HQ9N1H02E							
	LQP02HQ9N1J02L	12		13	0.82	5.6	4.0	230
	LQP02HQ9N1J02E							
	LQP02HQ10NH02L							
	LQP02HQ10NH02E	13		13	0.99	4.8	4.0	210
	LQP02HQ10NJ02L							
	LQP02HQ10NJ02E							
	LQP02HQ11NH02L	15		13	1.53	4.8	4.0	170
	LQP02HQ11NH02E							
	LQP02HQ11NJ02L							
	LQP02HQ11NJ02E	16		13	1.53	4.4	4.0	170
	LQP02HQ12NH02L							
	LQP02HQ12NH02E							
	LQP02HQ12NJ02L	16		13	1.53	4.4	4.0	170
	LQP02HQ12NJ02E							
	LQP02HQ13NH02L							
	LQP02HQ13NH02E	16		13	1.53	4.4	4.0	170
	LQP02HQ13NJ02L							
	LQP02HQ13NJ02E							
	LQP02HQ15NH02L	16		13	1.53	4.4	4.0	170
	LQP02HQ15NH02E							
	LQP02HQ15NJ02L							
	LQP02HQ15NJ02E	16		13	1.53	4.4	4.0	170
	LQP02HQ16NH02L							
	LQP02HQ16NH02E							
	LQP02HQ16NJ02L	16		13	1.53	4.4	4.0	170
	LQP02HQ16NJ02E							

Reference Only

Spec No. JELF243C-0023E-01

P.6/16

Customer Part Number	MURATA Part Number	Inductance		Q (min)	DC Resistance (Ω max)	Self Resonant Frequency (GHz)		Rated Current (mA)
		(nH)	Tolerance			*Typ.	Min.	
	LQP02HQ18NH02L	18		13	1.63	4.2	3.7	160
	LQP02HQ18NH02E							
	LQP02HQ18NJ02L							
	LQP02HQ18NJ02E							
	LQP02HQ20NH02L	20		12	2.26	3.9	3.0	140
	LQP02HQ20NH02E							
	LQP02HQ20NJ02L							
	LQP02HQ20NJ02E	22		12	2.6	3.7	2.9	120
	LQP02HQ22NH02L							
	LQP02HQ22NH02E							
	LQP02HQ22NJ02L							
	LQP02HQ22NJ02E	24		12	2.6	3.6	2.9	120
	LQP02HQ24NH02L							
	LQP02HQ24NH02E							
	LQP02HQ24NJ02L	27		9	3.2	3.4	2.6	110
	LQP02HQ24NJ02E							
	LQP02HQ27NH02L							
	LQP02HQ27NH02E							
	LQP02HQ27NJ02L	30		9	3.6	3.0	2.4	110
	LQP02HQ27NJ02E							
	LQP02HQ30NH02L							
	LQP02HQ30NH02E	33	H:±3% J:±5%	9	3.2	3.2	2.6	100
	LQP02HQ30NJ02L							
	LQP02HQ30NJ02E							
	LQP02HQ33NH02L							
	LQP02HQ33NH02E	36		8	4.0	2.7	2.1	100
	LQP02HQ33NJ02L							
	LQP02HQ33NJ02E							
	LQP02HQ36NH02L							
	LQP02HQ36NH02E	39		8	4.2	2.5	1.9	100
	LQP02HQ36NJ02L							
	LQP02HQ36NJ02E							
	LQP02HQ39NH02L	43		8	4.2	2.3	1.9	100
	LQP02HQ39NH02E							
	LQP02HQ39NJ02L							
	LQP02HQ39NJ02E							
	LQP02HQ43NH02L	47		8	4.2	2.3	1.9	100
	LQP02HQ43NH02E							
	LQP02HQ43NJ02L							
	LQP02HQ43NJ02E	51		8	4.2	2.3	1.9	100
	LQP02HQ47NH02L							
	LQP02HQ47NH02E							
	LQP02HQ47NJ02L							
	LQP02HQ47NJ02E	56		8	4.2	2.3	1.9	100
	LQP02HQ51NH02L							
	LQP02HQ51NH02E							
	LQP02HQ51NJ02L	56		8	4.2	2.3	1.9	100
	LQP02HQ51NJ02E							
	LQP02HQ56NH02L							
	LQP02HQ56NH02E							
	LQP02HQ56NJ02L	56		8	4.2	2.3	1.9	100
	LQP02HQ56NJ02E							

* Typical value is actual performance.

4. Testing Conditions

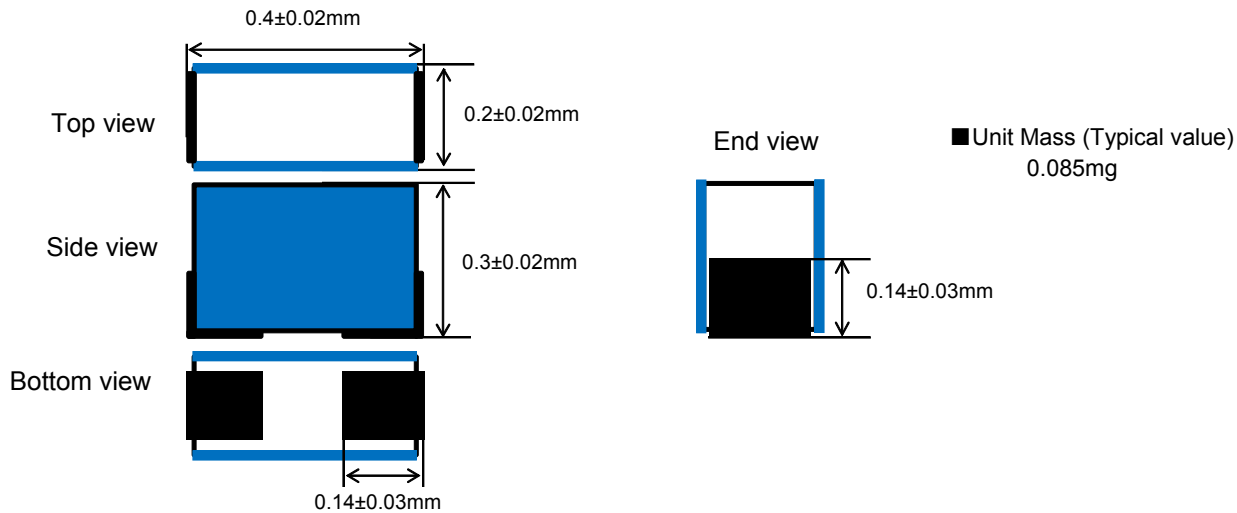
《Unless otherwise specified》

Temperature : Ordinary Temperature / 15°C to 35°C
Humidity : Ordinary Humidity / 25%(RH) to 85 %(RH)

《In case of doubt》

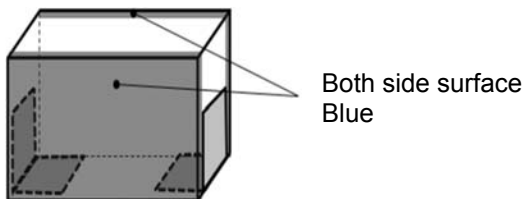
Temperature : 20°C ± 2°C
Humidity : 60%(RH) to 70 %(RH)
Atmospheric Pressure : 86kPa to 106 kPa

5. Appearance and Dimensions

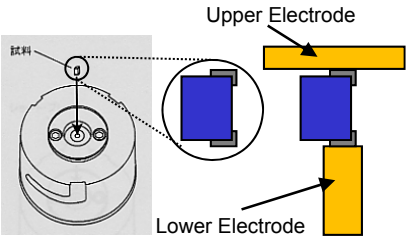


6. Marking

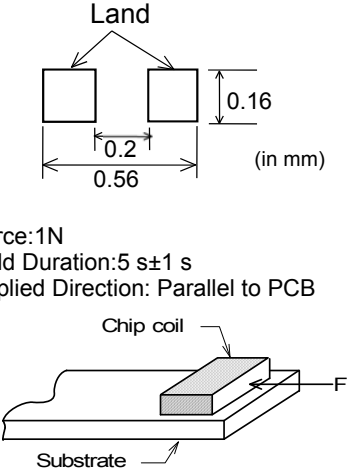
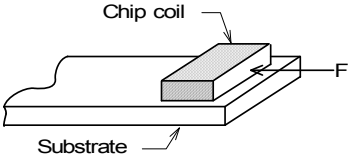
Side surface identification marking :Blue



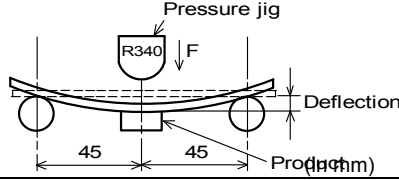
7. Electrical Performance

No.	Item	Specification	Test Method
7.1	Inductance	Inductance shall meet item 3.	<p>Measuring Equipment: KEYSIGHT E4991A or equivalent Measuring Frequency: (0.2~30nH)500MHz (33~56nH) 300MHz</p> <p>Measuring Condition: Test signal level / about 0dBm Electrical length / 27.3mm Measuring Fixture: KEYSIGHT 16196D Insert Chip coil in the hole in order that the polarity marking is at the top of the side surface. Contact coil with each terminal by adding the weigh cover. See diagram below.</p> 
7.2	Q	Q shall meet item 3.	<p>Make close contact of the outer electrode of a product with the lower electrode like above to avoid dispersion of measurement.</p> <p>Chip coil placement hole: $\phi 0.36\text{mm}$ Measuring Method: See the endnote <Electrical Performance: Measuring Method of Inductance/Q></p>
7.3	DC Resistance	DC Resistance shall meet item 3.	Measuring Equipment: Digital multi meter
7.4	Self Resonant Frequency(S.R.F)	S.R.F shall meet item 3.	Measuring Equipment: KEYSIGHT N5230A or equivalent
7.5	Rated Current	Self temperature rise shall be limited to 25°C max.	The rated current is applied.

8. Mechanical Performance

No.	Item	Specification	Test Method
8.1	Shear Test	Chip coil shall not be damaged after tested as test method.	<p>Substrate: Glass-epoxy substrate</p>  <p>Force: 1N Hold Duration: 5 s ± 1 s Applied Direction: Parallel to PCB</p> 

Reference Only

No.	Item	Specification	Test Method
8.2	Bending Test	Chip coil shall not be damaged after tested as test method.	Substrate: Glass-epoxy substrate (100mm × 40mm × 0.8mm) Speed of Applying Force: 1mm / s Deflection: 1mm Hold Duration: 30 s 
8.3	Vibration	Appearance: No damage Inductance Change: within ±10%	Substrate: Glass-epoxy substrate Oscillation Frequency: 10Hz to 2000Hz to 10Hz for 20 min Total amplitude 1.5 mm or Acceleration amplitude 196 m/s ² whichever is smaller. Testing Time: A period of 2h in each of 3 mutually perpendicular directions.
8.4	Solderability	The electrode shall be at least 90% covered with new solder coating.	Flux: Ethanol solution of rosin 25(wt)% (Immersed for 5s to 10s) Solder: Sn-3.0Ag-0.5Cu Pre-Heating: 150°C±10°C / 60s to 90s Solder Temperature: 240°C±5°C Immersion Time: 3s±1s
8.5	Resistance to Soldering Heat	Appearance: No damage Inductance Change: within ±10%	Flux: Ethanol solution of rosin 25(wt)% (Immersed for 5s to 10s) Solder: Sn-3.0Ag-0.5Cu Pre-Heating: 150°C±10°C / 60s to 90s Solder Temperature: 260°C±5°C Immersion Time: 5s±1s Then measured after exposure in the room condition for 24h±2h.

9.Environmental Performance

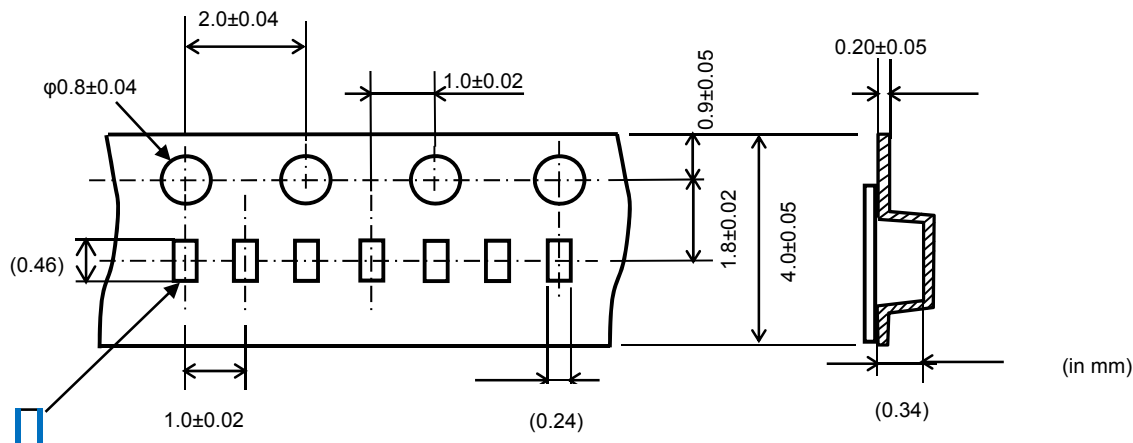
It shall be soldered on the substrate.

No.	Item	Specification	Test Method
9.1	Heat Resistance	Appearance: No damage Inductance Change: within ±10%	Substrate: Glass-epoxy substrate Temperature: 125°C±2°C Time: 1000h (+48h, -0h) Then measured after exposure in the room condition for 24h±2h.
9.2	Cold Resistance		Substrate: Glass-epoxy substrate Temperature: -55°C±3°C Time: 1000 h (+48h, -0h) Then measured after exposure in the room condition for 24h±2h.
9.3	Humidity		Substrate: Glass-epoxy substrate Temperature: 40°C±2°C Humidity: 90%(RH) to 95%(RH) Time: 1000 h(+48h, -0h) Then measured after exposure in the room condition for 24h±2h.
9.4	Temperature Cycle		Substrate: Glass-epoxy substrate 1 cycle: 1 step: -55°C±2°C / 30min±3 min 2 step: Ordinary temp. / 10~15 min 3 step: 125°C±2°C / 30±3 min 4 step: Ordinary temp. / 10~15 min Total of 10 cycles Then measured after exposure in the room condition for 24h±2h.

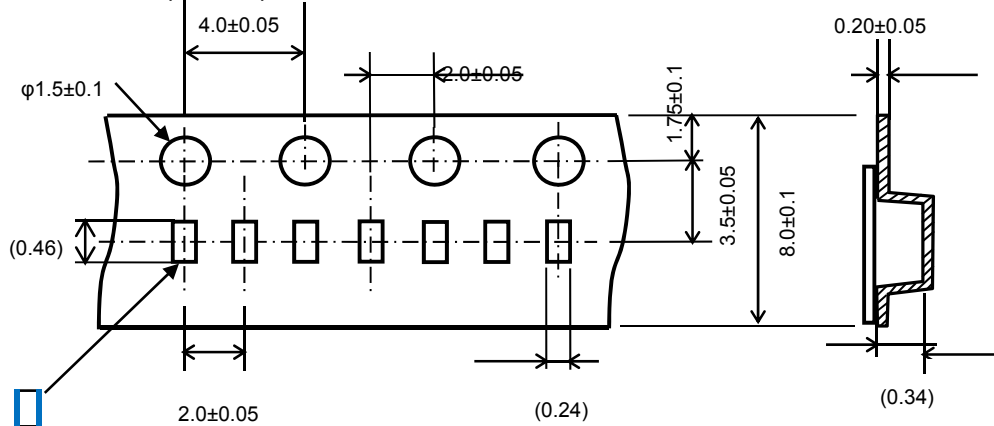
10. Specification of Packaging

10.1 Appearance and Dimensions

【4mm-wide / plastic tape】



【8mm-wide / plastic tape】



Dimension of the Cavity is measured at the bottom side.

10.2 Specification of Taping

【4mm-wide / plastic tape】

- (1) Packing quantity (standard quantity)
30,000 pcs. / reel
- (2) Packing Method
Products shall be packed in the each embossed cavity of plastic tape and sealed by cover tape.
- (3) Sprocket hole
The sprocket holes are to the right as the tape is pulled toward the user.
- (4) Spliced point
Plastic tape and Cover tape has no spliced point.
- (5) Missing components number
Missing components number within 0.1 % of the number per reel or 1 pc. , whichever is greater, and are not continuous. The Specified quantity per reel is kept.

【 8 mm-wide / plastic tape】

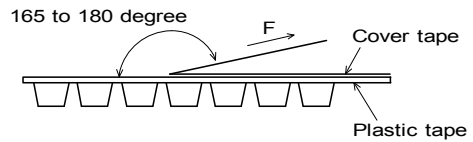
- (1) Packing quantity (standard quantity)
15,000 pcs. / reel
- (2) Packing Method
Products shall be packed in the each embossed cavity of plastic tape and sealed by cover tape.
- (3) Sprocket hole
The sprocket holes are to the right as the tape is pulled toward the user.
- (4) Spliced point
Plastic tape and Cover tape has no spliced point.
- (5) Missing components number
Missing components number within 0.1 % of the number per reel or 1 pc. , whichever is greater, and are not continuous. The Specified quantity per reel is kept.

10.3 Pull Strength

Cover tape	5N min
------------	--------

10.4 Peeling off force of cover tape

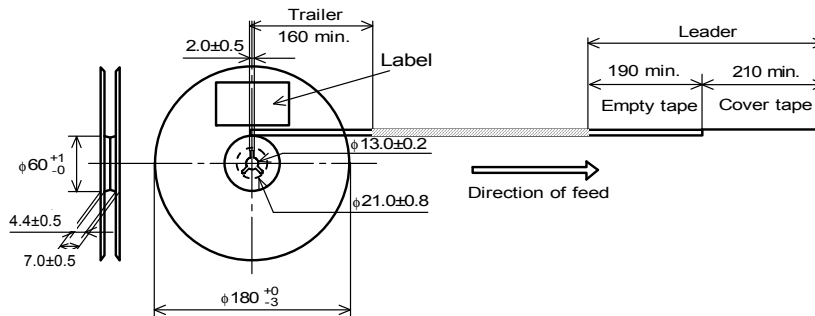
Speed of Peeling off	300mm/min
Peeling off force	0.1N to 0.6N (minimum value is typical)



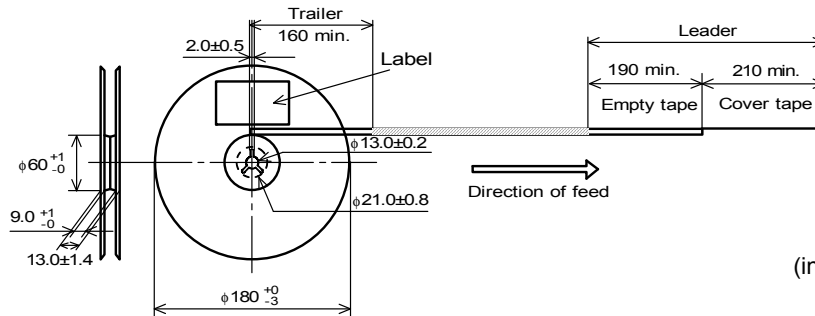
10.5 Dimensions of Leader-tape, Trailer and Reel

There shall be leader-tape (top tape and empty tape) and trailer-tape (empty tape) as follows.

【4mm-wide / plastic tape】



【8mm-wide / plastic tape】



(in mm)

10.6 Marking for reel

Customer part number, MURATA part number, Inspection number(*1), RoHS Marking(*2), Quantity etc ...

*1) <Expression of Inspection No.>

□□ 0000 XXXX
(1) (2) (3)

(1) Factory Code

(2) Date

First digit : Year / Last digit of year

Second digit : Month / Jan. to Sep. → 1 to 9, Oct. to Dec. → O,N,D

Third, Fourth digit : Day

(3) Serial No.

*2) <Expression of RoHS Marking >

ROHS - Y (Δ)
(1) (2)

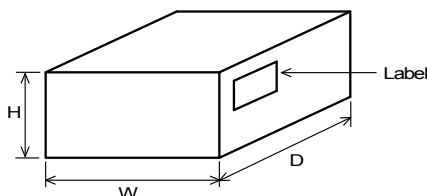
(1) RoHS regulation conformity parts.

(2) MURATA classification number

10.7 Marking for Outside package (corrugated paper box)

Customer name, Purchasing order number, Customer part number, MURATA part number, RoHS Marking (*2), Quantity, etc ...

10.8 Specification of Outer Case



Outer Case Dimensions (mm)			Standard Reel Quantity in Outer Case (Reel)
W	D	H	
186	186	93	5(8mm-wide / plastic tape)
			10(4mm-wide / plastic tape)

* Above Outer Case size is typical. It depends on a quantity of an order.

11. ⚠ Caution

Limitation of Applications

Please contact us before using our products for the applications listed below which require especially high reliability for the prevention of defects which might directly cause damage to the third party's life, body or property.

- | | |
|-----------------------------------|--|
| (1) Aircraft equipment | (6) Transportation equipment (vehicles, trains, ships, etc.) |
| (2) Aerospace equipment | (7) Traffic signal equipment |
| (3) Undersea equipment | (8) Disaster prevention / crime prevention equipment |
| (4) Power plant control equipment | (9) Data-processing equipment |
| (5) Medical equipment | (10) Applications of similar complexity and /or reliability requirements to the applications listed in the above |

12. Notice

Products can only be soldered with reflow.

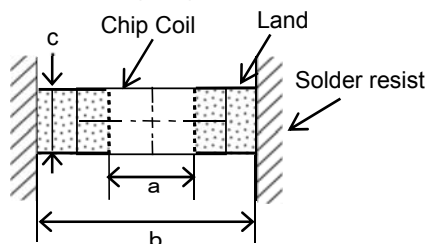
This product is designed for solder mounting.

Please consult us in advance for applying other mounting method such as conductive adhesive.

Please check the mounting condition before using.

Using mounting conditions (nozzles, equipment conditions, etc.) that are not suitable for products may lead to pick up errors, misalignment, or damage to the product.

12.1 Land pattern designing



a	0.20
b	0.56
c	0.16

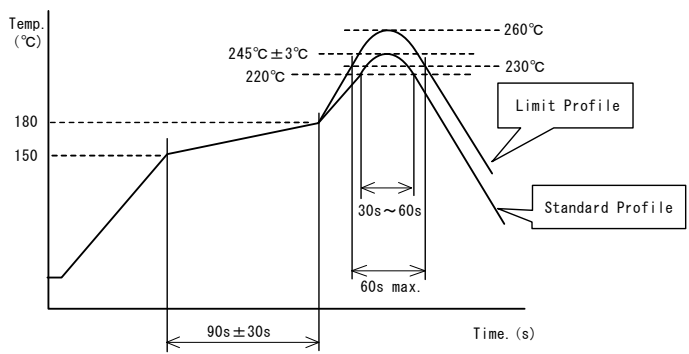
(in mm)

12.2 Flux, Solder

- Use rosin-based flux.
Don't use highly acidic flux with halide content exceeding 0.2(wt)% (chlorine conversion value).
Don't use water-soluble flux.
- Use Sn-3.0Ag-0.5Cu solder.
- Standard thickness of solder paste : 50 μm ~65 μm.

12.3 Reflow soldering conditions

- Pre-heating should be in such a way that the temperature difference between solder and product surface is limited to 150°C max. Cooling into solvent after soldering also should be in such a way that the temperature difference is limited to 100°C max.
Insufficient pre-heating may cause cracks on the product, resulting in the deterioration of products quality.
- Standard soldering profile and the limit soldering profile is as follows.
The excessive limit soldering conditions may cause leaching of the electrode and / or resulting in the deterioration of product quality.
- Reflow soldering profile



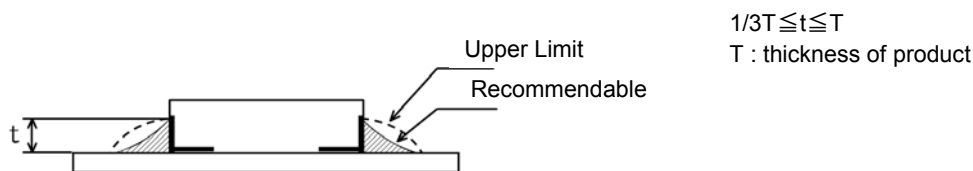
	Standard Profile	Limit Profile
Pre-heating	150°C ~ 180°C , 90s ± 30s	
Heating	above 220°C, 30s ~ 60s	above 230°C, 60s max.
Peak temperature	245°C ± 3°C	260°C, 10s
Cycle of reflow	2 times	

12.4 Reworking with soldering iron

Reworking with soldering iron is disapproved.

12.5 Solder Volume

- Solder shall be used not to be exceeded the upper limits as shown below.



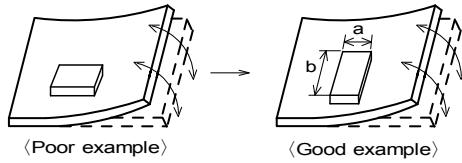
Accordingly increasing the solder volume, the mechanical stress to Chip is also increased. Exceeding solder volume may cause the failure of mechanical or electrical performance and become easy to tilt.

12.6 Attention regarding P.C.B. bending

The following shall be considered when designing and laying out P.C.B.'s.

- (1) P.C.B. shall be designed so that products are not subject to the mechanical stress due to warping the board.

[Products direction]



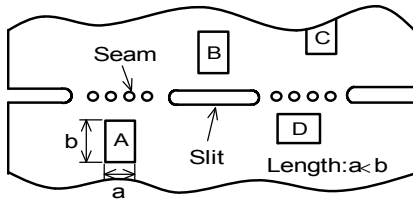
Products shall be located in the sideways direction (Length: $a < b$) to the mechanical stress.

- (2) Components location on P.C.B. separation.

It is effective to implement the following measures, to reduce stress in separating the board.

It is best to implement all of the following three measures; however, implement as many measures as possible to reduce stress.

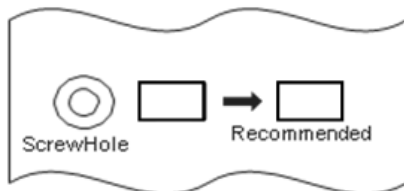
Contents of Measures	Stress Level
(1) Turn the mounting direction of the component parallel to the board separation surface.	$A > D^{*1}$
(2) Add slits in the board separation part.	$A > B$
(3) Keep the mounting position of the component away from the board separation surface.	$A > C$



*1 $A > D$ is valid when stress is added vertically to the perforation as with Hand Separation. If a Cutting Disc is used, stress will be diagonal to the PCB, therefore $A > D$ is invalid.

- (3) Mounting Components Near Screw Holes

When a component is mounted near a screw hole, it may be affected by the board deflection that occurs during the tightening of the screw. Mount the capacitor in a position as far away from the screw holes as possible.



12.7 Cleaning Conditions

Products shall be cleaned on the following conditions.

- (1) Cleaning temperature shall be limited to 60°C max.(40°C max for IPA)
- (2) Ultrasonic cleaning shall comply with the following conditions with avoiding the resonance phenomenon at the mounted products and P.C.B.
Power : 20 W / l max. Frequency : 28kHz to 40kHz Time : 5 min max.
- (3) Cleaner
 1. Alcohol type cleaner
Isopropyl alcohol (IPA)
 2. Aqueous agent
PINE ALPHA ST-100S
- (4) There shall be no residual flux and residual cleaner after cleaning.
In the case of using aqueous agent, products shall be dried completely after rinse with de-ionized water in order to remove the cleaner.
- (5) Other cleaning Please contact us.

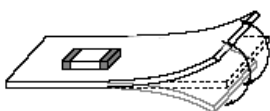
12.8 Resin coating

When products are coated with resin, please contact us in advance.

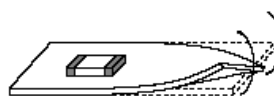
12.9 Handling of a substrate

- (1) There is a possibility of chip cracking caused by PCB expansion/contraction with heat, because stress on a chip is different depending on PCB material and structure.
When the thermal expansion coefficient greatly differs between the board used for mounting and the chip, it will cause cracking of the chip due to the thermal expansion and contraction.
The chip is assumed to be mounted on the PCB of glass-epoxy material, and we don't test with other PCB material which has different thermal expansion coefficient from Glass-epoxy.
When other PCB materials are considered, please be sure to evaluate by yourself.
- (2) After mounting products on a substrate, do not apply any stress to the product caused by bending or twisting to the substrate when cropping the substrate, inserting and removing a connector from the substrate or tightening screw to the substrate.
Excessive mechanical stress may cause cracking in the product.
In case of the mounting on flexible PCB, there is a possibility of chip cracking caused by mechanical stress even from small bending or twisting.
When the flexible PCB is considered, please be sure to evaluate by yourself.

Bending



Twisting

**12.10 Storage and Handling Requirements**

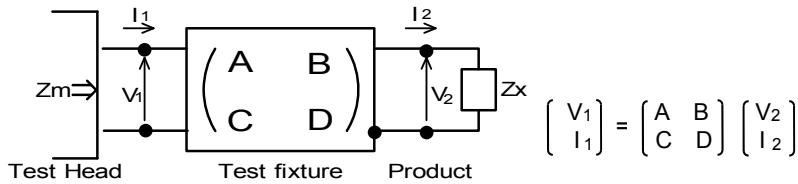
- (1) Storage period
Use the products within 12 months after delivered.
Solderability should be checked if this period is exceeded.
- (2) Storage conditions
 - Products should be stored in the warehouse on the following conditions.
Temperature : -10°C ~ 40°C
Humidity : 15% to 85% relative humidity No rapid change on temperature and humidity.
 - Products should not be stored on bulk packaging condition to prevent the chipping of the core and the breaking of winding wire caused by the collision between the products.
 - Products should be stored on the palette for the prevention of the influence from humidity, dust and so on.
 - Products should be stored in the warehouse without heat shock, vibration, direct sunlight and so on.
- (3) Handling Condition
Care should be taken when transporting or handling product to avoid excessive vibration or mechanical shock.

13. ⚠ Note

- (1) Please make sure that your product has been evaluated in view of your specifications with our product being mounted to your product.
- (2) You are requested not to use our product deviating from the reference specifications.
- (3) The contents of this reference specification are subject to change without advance notice.
Please approve our product specifications or transact the approval sheet for product specifications before ordering.

<Electrical Performance: Measuring Method of Inductance/Q>

(1) Residual elements and stray elements of test fixture can be described by F-parameter shown in following.



(2) The impedance of chip coil Z_x and measured value Z_m can be described by input/output current/voltage.

$$Z_m = \frac{V_1}{I_1} \quad , \quad Z_x = \frac{V_2}{I_2}$$

(3) Thus, the relation between Z_x and Z_m is following;

$$Z_x = \alpha \frac{Z_m - \beta}{1 - Z_m \Gamma} \quad \text{where, } \alpha = D / A = 1$$

$$\beta = B / D = Z_{sm} - (1 - Y_{om} Z_{sm}) Z_{ss}$$

$$\Gamma = C / A = Y_{om}$$

Z_{sm} : measured impedance of short chip
 Z_{ss} : residual impedance of short chip (0.110nH)
 Y_{om} : measured admittance when opening the fixture

(4) L_x and Q_x shall be calculated with the following equation.

$$L_x = \frac{\text{Im}(Z_x)}{2\pi f} \quad , \quad Q_x = \frac{\text{Im}(Z_x)}{\text{Re}(Z_x)}$$

L_x : Inductance of chip coil
 Q_x : Q of chip coil
 f : Measuring frequency